



# BraunAbility

Life is a Moving Experience™

## COMPANION VAN PLUS

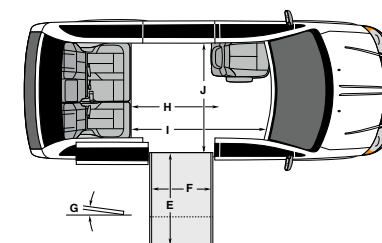
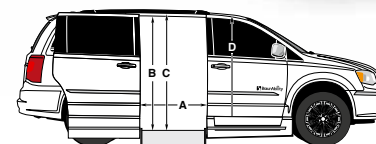
Looking for a vehicle that offers high functionality at an affordable cost? Check out the all new CompanionVan Plus. Operate this easy-to-use power ramp system at the touch of a button. The open floor plan and removable front seats offer best-in-class seating flexibility.

The ramp features 2" side rails for extra security and an 800 lb weight capacity. The ramp can also be operated manually.

The CompanionVan Plus packages convenience and quality in a brand new value-driven vehicle -- see for yourself today!

**1-800-THE-LIFT® (1-800-843-5438)**

[www.BraunAbility.com](http://www.BraunAbility.com)



### Powered Ramp Switch



A powered ramp that opens at the touch of a button located on the passenger side b-pillar.

## AVAILABLE IN STANDARD AND XT HEIGHTS!

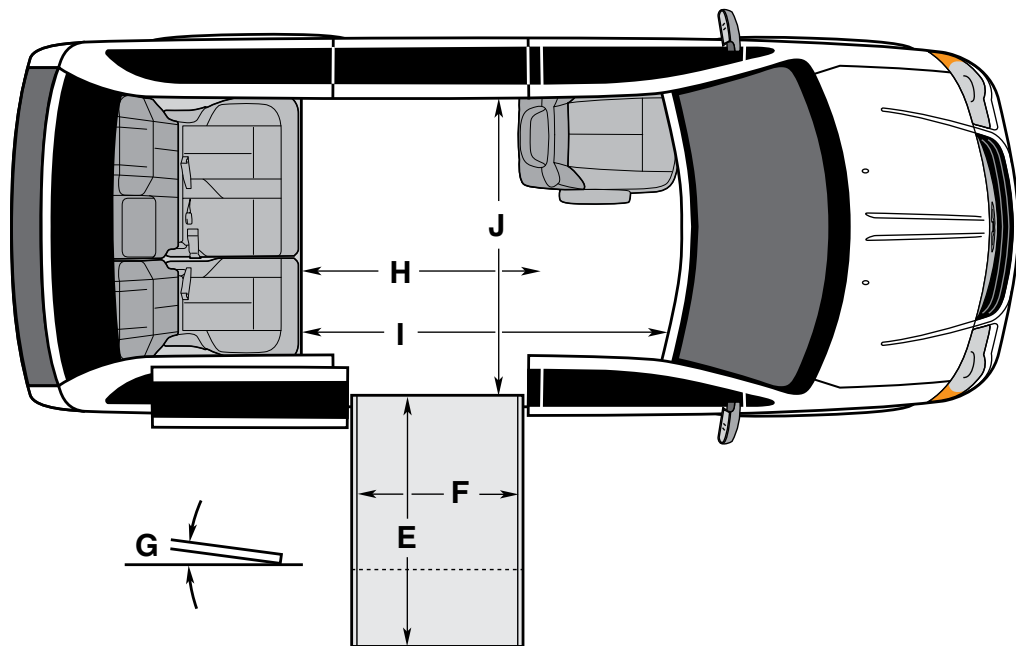
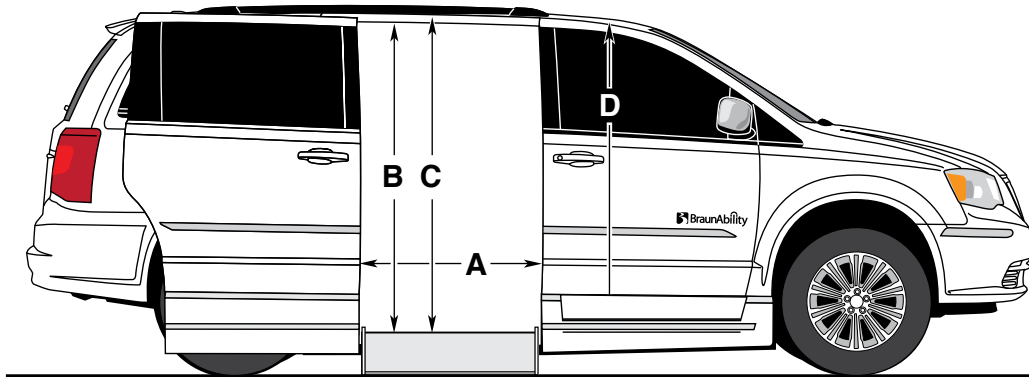
All dimensions are for reference only.

Door Opening Usable Width (Slide Door)	A	31-1/2"
Door Opening Usable Height XT (Slide Door)	B	56-1/2"
Door Opening Usable Height (Slide Door)	B <sup>2</sup>	52-1/2"
Interior Height at Center of Van XT*	C	61"
Interior Height at Center of Van*	C <sup>2</sup>	57-1/4"
Interior Height at Driver and Passenger Position**	D	60"
Ramp Length	E	52"
Ramp Width (Usable Clear Opening)	F	29-1/4"
Ramp Angle XT	G	11.7°
Ramp Angle	G <sup>2</sup>	12.8°
Interior Floor Length (Behind Front Seats)	H	57"
Overall Interior Floor Length (Flat Area)	I	87-1/2"
Interior Width at B Pillars	J	62"

Due to manufacturing tolerances both with the OEM vehicle and the conversion components, all dimensions may vary slightly from those shown.

All illustrations, descriptions and specifications in this brochure are based on the latest product information at the time of publication. The Braun Corporation reserves the right to make changes at any time without notice. © 2014 The Braun Corporation

# COMPANION VAN PLUS / DIMENSIONS



All dimensions are for reference only.

**Foldout Ramp**

Door Opening Usable Width (Slide Door)	<b>A</b>	<b>31-1/2"</b>
Door Opening Usable Height XT (Slide Door)	<b>B</b>	<b>56-1/2"</b>
Door Opening Usable Height (Slide Door)	<b>B<sup>2</sup></b>	<b>52-1/2"</b>
Interior Height at Center of Van XT*	<b>C</b>	<b>61"</b>
Interior Height at Center of Van*	<b>C<sup>2</sup></b>	<b>57-1/4"</b>
Interior Height at Driver and Passenger Position**	<b>D</b>	<b>60"</b>
Ramp Length	<b>E</b>	<b>52"</b>
Ramp Width (Usable Clear Opening)	<b>F</b>	<b>29-1/4"</b>
Ramp Angle XT	<b>G</b>	<b>11.7°</b>
Ramp Angle	<b>G<sup>2</sup></b>	<b>12.8°</b>
Interior Floor Length (Behind Front Seats)	<b>H</b>	<b>57"</b>
Overall Interior Floor Length (Flat Area)	<b>I</b>	<b>87-1/2"</b>
Interior Width at B Pillars	<b>J</b>	<b>62"</b>

Due to manufacturing tolerances both with the OEM vehicle and the conversion components, all dimensions may vary slightly from those shown.

\* Deduct 2-1/2" off of Interior Height for Applications with Overhead DVD/Rail System

\*\* Deduct 3-1/4" off of Interior Height for Applications with Moon Roof